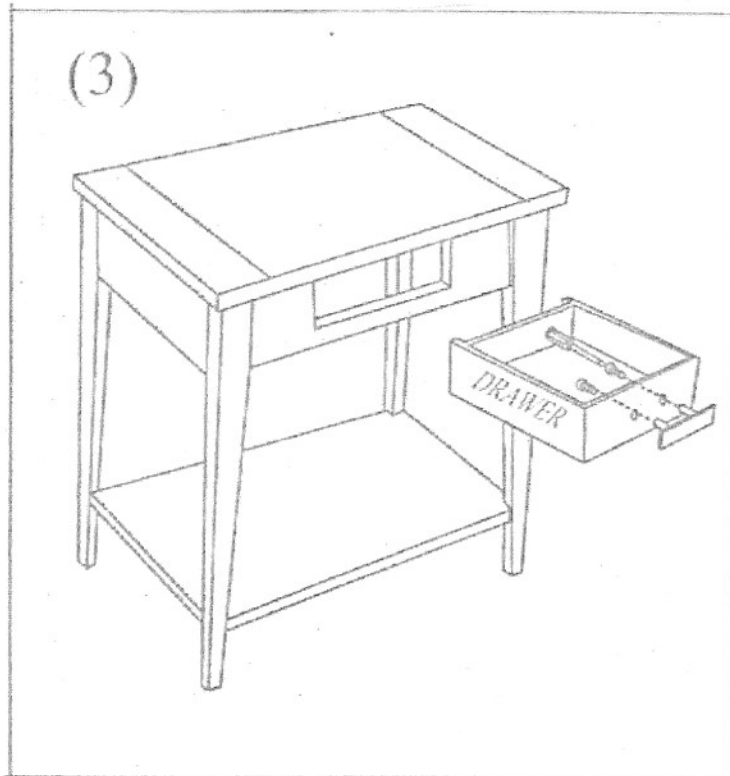
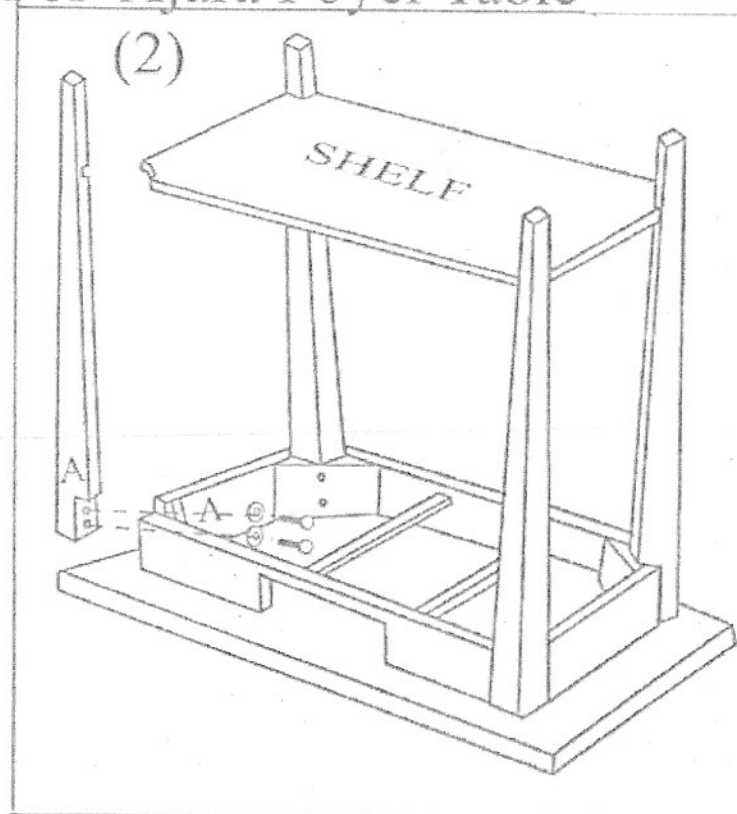
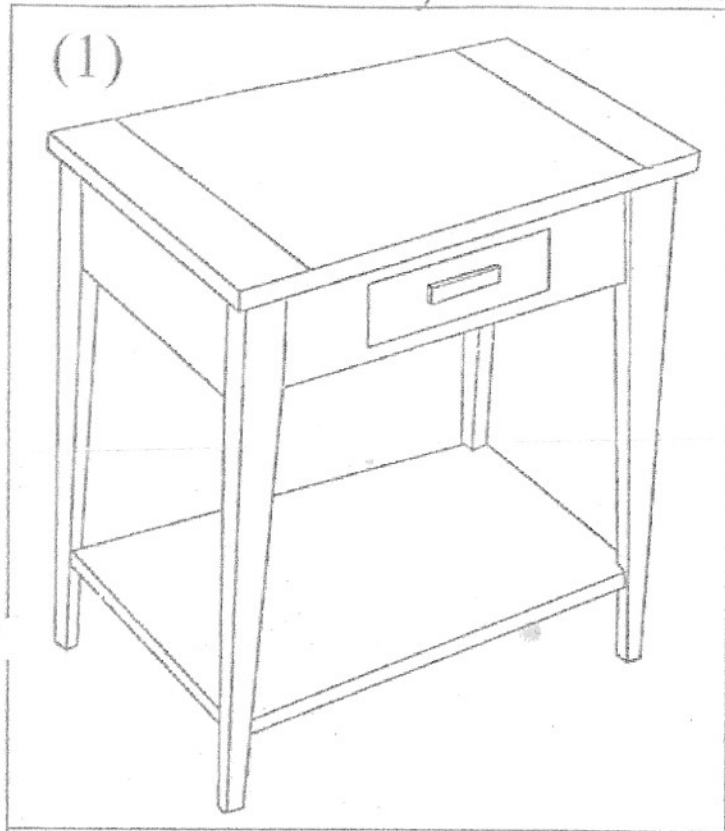


Assembly Instructions For Ajara Foyer Table



ASSEMBLY INSTRUCTIONS (Foyer Table)

- A. Turn the foyer table top on to a clean surface as shown.
- B. Unscrew the bolt and spacers provided from the nuts of the leg .
- C. Match label on the inside of the apron with label on table leg ("A" with "A") as shown in figure 2.
- D. Place both legs A and B at the end of the corresponding corner of the table. Insert the bolt with spacer and tighten with wrench provided.
- E. Insert the shelf into the grooves of both legs as shown in figure 2.
- F. Attach the remaining legs C and D similarly and reverse table.
Extra bolts and spacers provided.